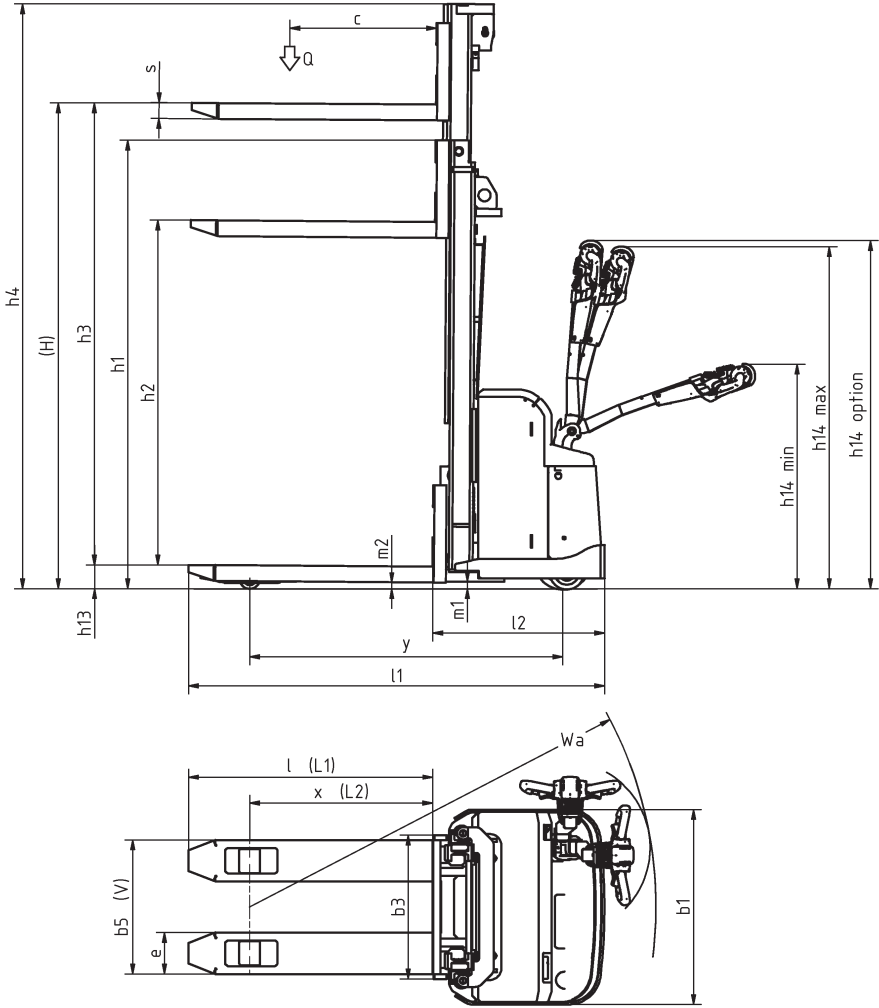


PEDESTRIAN STACKER



ALTO PS 125 TV

The compact pedestrian stacker for flexible use in tight spaces. Robust, powerful and handy. Offset tiller arm with all controls in the tiller head for easy handling.



Mast type	Lift height H	Height of mast lowered h1	Max mast height h4
Standard/Duplex	2690	1845	3105
	2990	1995	3405
	3290	2150	3710
	3590	2300	4010
Triplex			

ATLET

www.atlet.com

Distinguishing mark	1.1	Manufacturer			ATLET
	1.2	Manufacturer's type designation			ALTO PS 125 TV
	1.3	Drive: electric (battery or mains), diesel, petrol, fuel gas			Electric
	1.4	Operator type: hand, pedestrian, standing, seated, order-picker			Pedestrian
	1.5	Load capacity/rated load	Q	t	1,25
	1.6	Load centre distance	c	mm	500 / 600
	1.8	Load distance, centre of load axle to fork	x		750
	1.9	Wheelbase	y	mm	1282
Weight	2.1	Service weight incl battery		kg	915
	2.2	Axle loading, laden, drive side/load side		kg	790 / 1375
	2.3	Axle loading, unladen, drive side/load side		kg	640 / 275
Tyres, chassis	3.1	Tyres			Vulcollan
	3.2	Tyre size, drive side		mm	Ø 230x70
	3.3	Tyre size, load side		mm	Ø 85x99
	3.4	Dimensions additional wheels (castor wheels)		mm	Ø 140x60
	3.5	Wheels, number front/rear (drive side/load side, x = driven wheels)			1x 1/2
	3.6	Track, drive side	b ₁₀	mm	523
	3.7	Track, load side	b ₁₁	mm	378
Dimensions	4.1	Tilt of mast/fork carriage, forward/backward		Grad	
	4.2	Height, mast lowered	h ₁	mm	See table
	4.3	Free lift	h ₂	mm	170
	4.4	Lift height H = h ₁₃ +h ₃	H	mm	See table
	4.5	Height, mast extended	h ₄	mm	See table
	4.6	Straddle lift	h ₅	mm	
	4.7	Height of overhead guard (cabin)	h ₆	mm	
	4.8	Seat height/stand height	h ₇	mm	
	4.10	Height of wheel arms	h ₈	mm	
	4.11	Additional lift	h ₉	mm	
	4.14	Stand height, elevated	h ₁₂	mm	
	4.15	Height lowered	h ₁₃	mm	90
	4.19	Overall length	l ₁	mm	1700 / 1900
	4.20	Length to face of forks	l ₂	mm	700
	4.21	Overall width	b ₁	mm	800
	4.21.1	Width over stabilizers		mm	
	4.22	Fork dimensions	s/e/l	mm	65/170/1000 -1200
	4.25	Width over forks, min/max	b ₅	mm	550
	4.26	Distance between wheel arms	b ₄	mm	
	4.28	Reach distance	l ₄	mm	
	4.32	Ground clearance, centre of wheelbase	m ₂	mm	25
	4.33	Aisle width with pallet 1000 x 1200, crosswise	A _{st}	mm	2515 (with option 2435)
	4.34	Aisle width for pallet 800 x 1200, lengthwise	A _{st}	mm	2465 (with option 2385)
4.35	Turning radius	W _a	mm	1665 (with option 1585)	
4.37	Length incl reach legs	l ₇	mm		
Performance data	5.1	Travel speed, laden/unladen		km/h	5.8 / 6
	5.2	Lift speed, laden/unladen		m/s	0,12 / 0,23
	5.3	Lowering speed, laden/unladen		m/s	0,34 / 0,27
	5.7	Gradient, laden/unladen		%	6 / 15
	5.9	Acceleration time 0-10 km/h, laden/unladen		s	8.0 / 6.9
	5.10	Service brake: electric, hydraulic			Electric
	5.10.1	Parking brake: electric, hydraulic			Electric
Electric engine	6.1	Drive motor, rating S2 60 min		kW	1,3 AC
	6.2	Lift motor		kW	2,2
	6.4	Battery voltage / Battery capacity		V/Ah	24 / 150-230
	6.5	Battery weight		kg	140-215
Additional data	8.1	Speed regulation			AC
	8.2	Operating pressure attachments		bar	

* Varies according to battery size

All rights reserved to change above specification