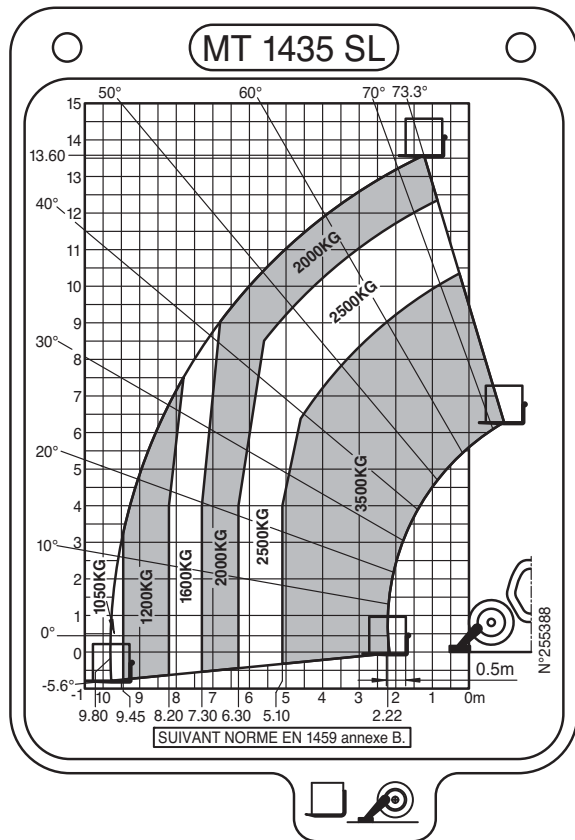
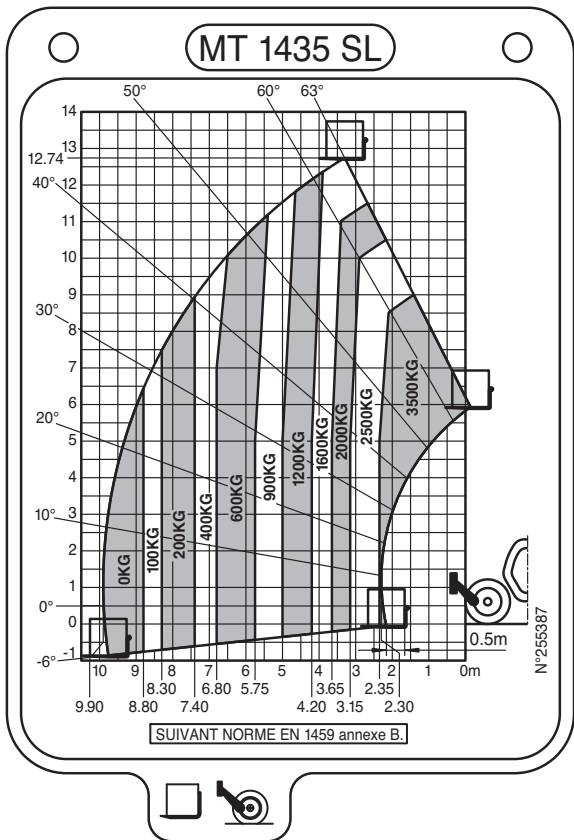
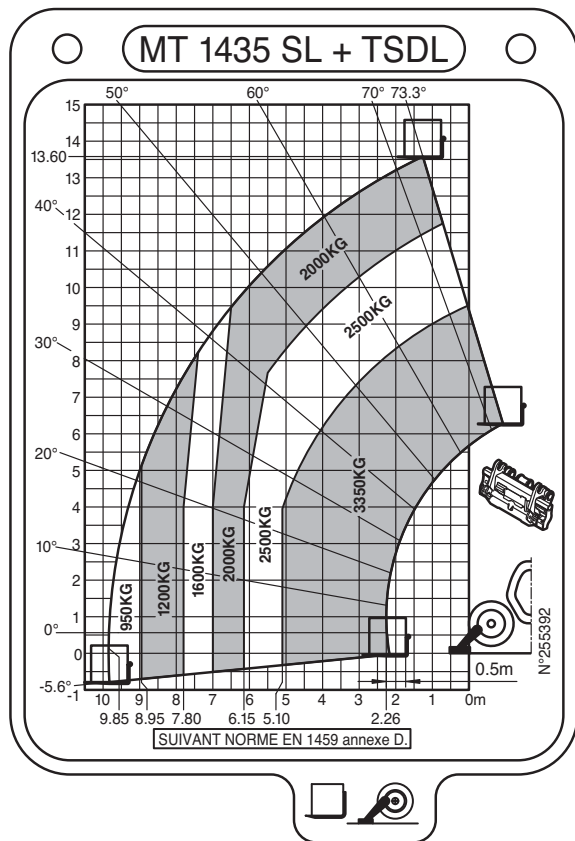
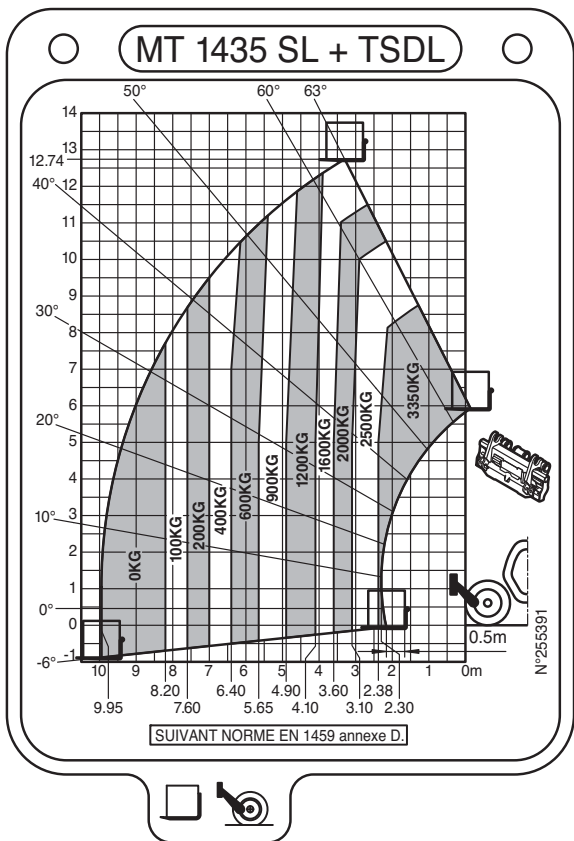


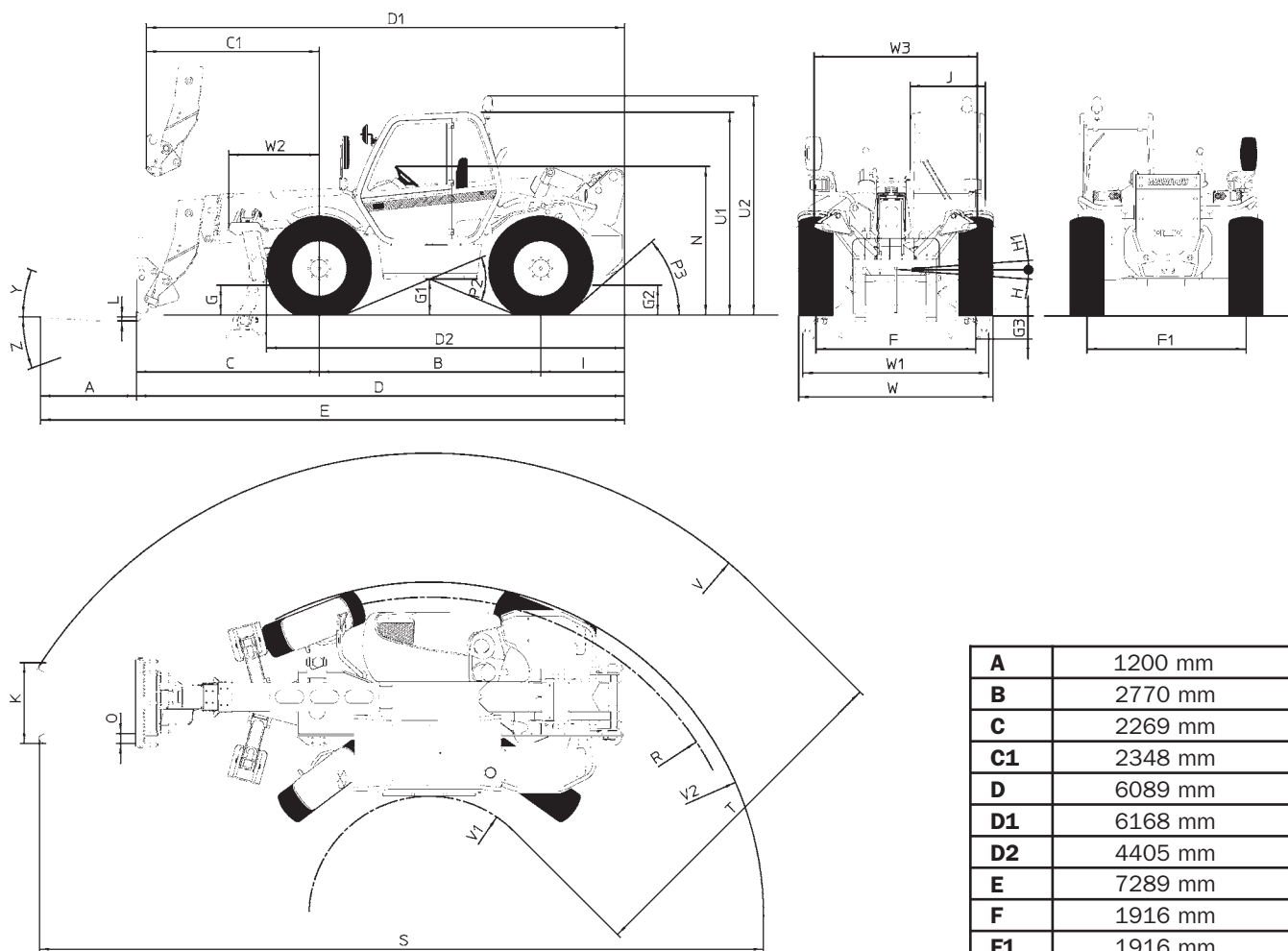
A	1200 mm
B	2770 mm
C	2269 mm
C1	2348 mm
D	6089 mm
D1	6168 mm
D2	4405 mm
E	7289 mm
F	1916 mm
F1	1916 mm
G	450 mm
G1	445 mm
G2	450 mm
G3	275 mm
H	7 °
H1	7 °
I	1050 mm
J	950 mm
K	1040 mm
L	45 mm
N	1850 mm
O	125 mm
P2	43,5 °
P3	40 °
R	3950 mm
S	9010 mm
T	4355 mm
U1	2575 mm
U2	2755 mm
V	5825 mm
V1	1470 mm
V2	4157 mm
W	2330 mm
W1	2320 mm
W2	1125 mm
W3	2035 mm
Y	12 °
Z	112 °

WITH SINGLE CARRIAGE



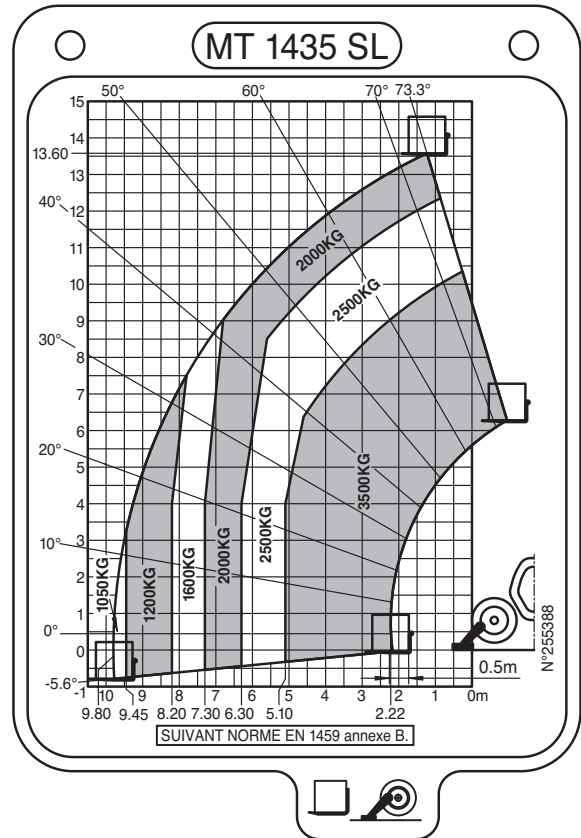
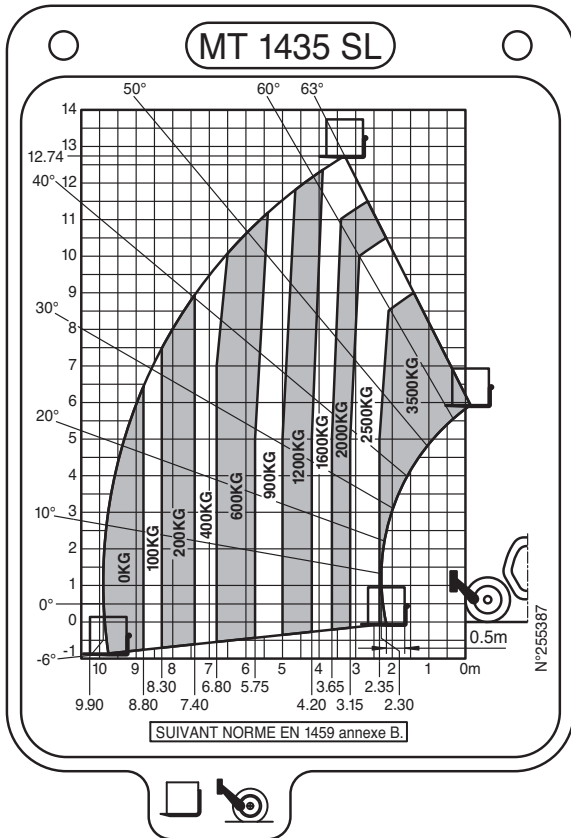
WITH SINGLE SIDE-SHIFT CARRIAGE





A	1200 mm
B	2770 mm
C	2269 mm
C1	2348 mm
D	6089 mm
D1	6168 mm
D2	4405 mm
E	7289 mm
F	1916 mm
F1	1916 mm
G	450 mm
G1	445 mm
G2	450 mm
G3	275 mm
H	7 °
H1	7 °
I	1050 mm
J	950 mm
K	1040 mm
L	45 mm
N	1850 mm
O	125 mm
P2	43,5 °
P3	40 °
R	3950 mm
S	9010 mm
T	4355 mm
U1	2575 mm
U2	2755 mm
V	5825 mm
V1	1470 mm
V2	4157 mm
W	2330 mm
W1	2320 mm
W2	1125 mm
W3	2035 mm
Y	12 °
Z	112 °

WITH SINGLE CARRIAGE



WITH SINGLE SIDE-SHIFT CARRIAGE

