



UN FORKLIFT

FE SERIES

4-WHEEL
ELECTRIC FORKLIFT
(LEAD ACID & LI-ION BATTERY)

CAPACITY 1.5-3.5 TON



ZHEJIANG UN FORKLIFT CO.,LTD.

ADDRESS: NO.1,ROAD ONE,XINDENG NEW DISTRICT,FUYANG,
HANGZHOU,ZHEJIANG 311404,CHINA

TEL: +86-571-8688 8355 (AMERICA)

+86-571-8886 9363 (EUROPE)

+86-571-8688 8377 (ASIA, AFRICA, OCEANIA)

E-MAIL: info@unforklift.com

PARTS INQUIRY: parts@unforklift.com

www.unforklift.com



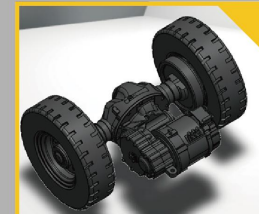
CAPACITY 1.5-3.5 TON

FE SERIES | 4-WHEEL ELECTRIC FORKLIFT

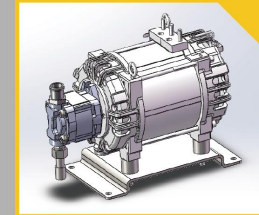
FE Series 4-wheel electric forklift (Capacity:1.5-3.5T) is a fully upgraded model developed on the basis of the original V Series. This series is built for strength and durability. Designed to withstand the toughest environments, both indoors and outdoors. The compact, agile design for easy manoeuvring in tight space.



HIGH PERFORMANCE



The drive motor adopts an H-type parallel arrangement with good stability.



Equipped with a high-power hydraulic pump motor & a low-noise, high-displacement pump, significantly enhances lifting speed.



Outstanding tight-turn performance for effective warehouse operations.



Steering Axle:
 Cast axle body with a 30% increase in strength.
 Tapered roller bearings to enhance load capacity and durability.
 High-mounted design enhances stability and safety.



Featuring a load-sensing steering gear, increasing the lift speed.



Multiple speed modes can be freely selected based on working conditions, enhancing efficiency.

Lead-Acid Lithium Battery Solutions

Lead-Acid

- Proven Reliability
- Cost-Effective
- Easy Maintenance
- Suitable for Multi-Shift Operations

Lithium Battery

- High Efficiency & Fast Charging
- Longer Lifespan
- Maintenance-Free
- Energy-Saving & Eco-Friendly
- Charging heating function (-20°C)



BATTERY & CHARGER

Model	Capacity	Charger	Model	Capacity	Charger
Lead Acid			Li-ion		
FB20-FENQZC	48V/525AH	48V/70A REMA Plug	FB20-FE1NLZC	80V/150AH	80V/65A REMA Plug
	48V/600AH	48V/80A REMA Plug		80V/230AH	80V/100A REMA Plug
	48V/700AH	48V/100A REMA Plug		80V/280AH	80V/100A REMA Plug
	48V/770AH	48V/110A REMA Plug		80V/346AH	80V/100A REMA Plug
FB25-FENQZC	48V/600AH	48V/80A REMA Plug	FB25-FE1NLZC	80V/460AH	80V/200A REMA Plug
	48V/700AH	48V/100A REMA Plug		80V/150AH	80V/65A REMA Plug
	48V/770AH	48V/110A REMA Plug		80V/230AH	80V/100A REMA Plug
FB30-35-FENQZC	80V/400AH	80V/60A REMA Plug	FB30-35-FENLZC	80V/280AH	80V/100A REMA Plug
	80V/480AH	80V/70A REMA Plug		80V/346AH	80V/100A REMA Plug
	80V/560AH	80V/80A REMA Plug		80V/460AH	80V/200A REMA Plug
	80V/620AH	80V/80A REMA Plug		80V/280AH	80V/100A REMA Plug

SAFETY & RELIABILITY



Anti-slip function.



Robust Stamped OHG.



Wide view mast.



LED lights.



Hanging foot brake achieve smooth braking and reduce vibrations.



Proportional lifting function allowing for precise lifting of the cargo.



Turning speed deceleration function reduces the risk of tipping over in corners.

SUPERIOR ERGONOMICS



Adopt new ratchet-type handbrake, reducing the operating force.

Optional finger-tip control system ensures a superior driving experience.



The adjustable seat, allowing the operator to select the optimal driving position.



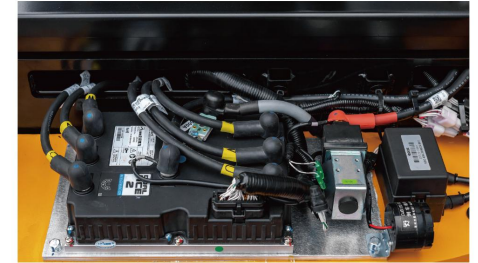
Fully enclosed instrument console greatly expand legroom.

The ergonomically designed adjustable steering wheel enhances comfort.

EASY MAINTENANCE



Fully opening engine cover for easy maintenance of the battery and hydraulic pump motor.



Tool-free removable floor plate for easy maintenance of the drive motor and DCDC, etc.



Fully opening electrical control cover for easy maintenance of electric controls and fuses.

Multi-function color screen instrument provides key information of forklift.



USB & TYPE C for mobile devices.

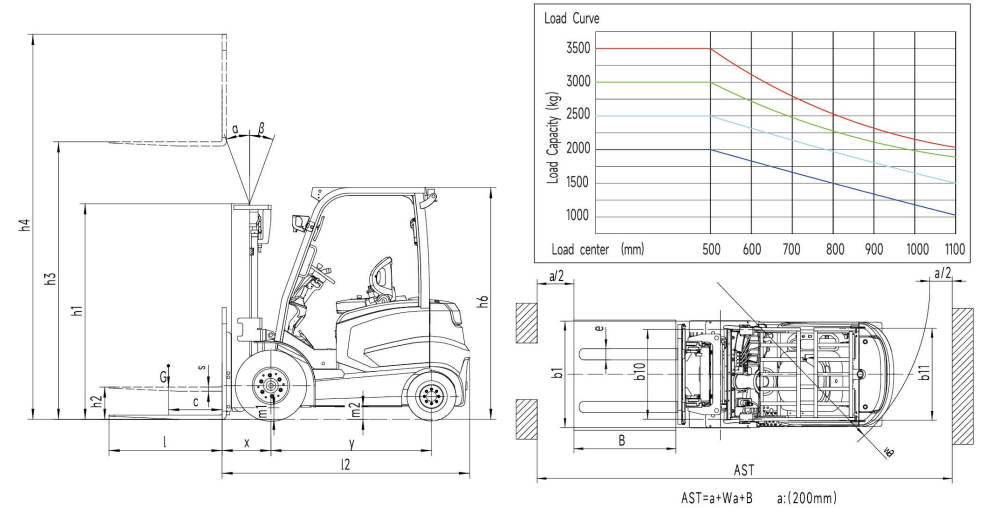
TELEMATIC (Option)



- Vehicle Monitoring
- Fault Handling
- Track Playback
- Operation Management
- Dynamic Monitoring
- Basic Information
- Statistical Report
- System Management

MAST SPECIFICATIONS & RATED CAPACITIES

Mast Type	Mast Name	Max. Fork Height (mm)	Load Capacity (kg)								Overall Height (mm)								Free Lift (mm)				Tilt Angle
			Lowered				Extended				Without Backrest				With Backrest								
			2.0t	2.5t	3.0t	3.5t	2.0t/2.5t	3.0t/3.5t	2.0t/2.5t	3.0t/3.5t	2.0t/2.5t	3.0t/3.5t	2.0t/2.5t	3.0t/3.5t	2.0t/2.5t	3.0t/3.5t	2.0t/2.5t	3.0t/3.5t					
2-Stage Full Free Wide View Mast	M300	3000	2000	2500	3000	3500	2045	2060	3628	3641	4021	4060	120	125/130	120	125/130	6-12						
	M330	3300	2000	2500	3000	3500	2195	2210	3928	3941	4321	4360	120	125/130	120	125/130	6-12						
	M350	3500	2000	2500	3000	3500	2295	2310	4128	4141	4521	4560	120	125/130	120	125/130	6-12						
	M370	3700	2000	2500	3000	3500	2395	2410	4328	4341	4721	4760	120	125/130	120	125/130	6-6						
	M400	4000	1900	2400	3000	3500	2495	2510	4628	4641	5021	5060	120	125/130	120	125/130	6-6						
M450	4500	1700	2200	2950	3350	2845	2860	5128	5141	5521	5560	120	125/130	120	125/130	6-6							
M500	5000	1600	2050	2600	3100	3145	3160	5628	5641	6021	6060	120	125/130	120	125/130	6-6							
2-Stage Full Free Wide View Mast	FM300	3000	2000	2500	3000	3500	2045	2060	3020	3025	4042	4202	1384	1380	978	838	6-12						
	FM330	3300	2000	2500	3000	3500	2195	2210	3320	3325	4342	4502	1534	1530	1128	988	6-12						
	FM350	3500	2000	2500	3000	3500	2295	2310	3520	3525	4642	4702	1634	1630	1228	1088	6-12						
	FM370	3700	2000	2500	3000	3500	2395	2410	3720	3725	4742	4902	1734	1730	1328	1188	6-6						
	FM400	4000	2000	2500	3000	3500	2595	2610	4020	4025	5042	5202	1934	1930	1528	1388	6-6						
3-Stage Full Free Wide View Mast	TFM400	4000	1900	2300	3000	3500	1945	1960	4628	4641	5021	5060	1287	1280	841	860	6-6						
	TFM430	4300	1750	2250	3000	3400	2045	2060	4928	4941	5321	5360	1387	1380	941	960	6-6						
	TFM450	4500	1700	2200	2950	3350	2145	2160	5128	5141	5521	5560	1487	1480	1041	1060	6-6						
	TFM480	4800	1650	2100	2850	3300	2245	2260	5428	5441	5821	5860	1587	1580	1141	1160	6-6						
	TFM500	5000	1600	2050	2600	3100	2295	2310	5628	5641	6021	6060	1637	1630	1191	1210	6-6						
	TFM550	5500	1550	1850	2000	2500	2495	2510	6128	6141	6521	6560	1837	1830	1391	1410	3-6						
TFM600	6000	1400	1550	1550	2050	2695	2710	6628	6641	7021	7060	2037	2030	1591	1610	3-6							



MAIN SPECIFICATIONS

		UN							
		FB15	FB18	FB20 (Mini)	FB20	FB25	FB30	FB35	
General	1 Manufacturer								
	2 Model								
	3 Drive	Electric							
	4 Operator type	Seated							
	5 Load capacity/rated load	Q(kg)	1500	1800	2000	2000	2500	3000	3500
	6 Load centre distance	c(mm)	500						
Weight	7 Load distance, center of drive axle to fork	x(mm)	407	407	412	462	462	467	472
	8 Wheelbase	y(mm)	1410	1410	1410	1520	1520	1660	1660
	9 Total Weight	kg	3010	3180	3400	3650/3820	4220	4840	5280
	10 Axle loading, loaded front / rear	kg	3970/540	4450/530	4810/590	4950/700 5050/770	5990/730	7005/835	7805/975
	11 Axle loading, unloaded front / rear	kg	1500/1510	1490/1690	1510/1890	1720/1930 1800/2020	1900/2320	2250/2590	2245/3035
	12 Tires		Pneumatic	Pneumatic	Pneumatic	Pneumatic	Pneumatic	Pneumatic	Solid rubber
	13 Tyre size (Front x2)		6.50-10-10PR	6.50-10-10PR	6.50-10-12PR	7.00-12-12PR	7.00-12-12PR	28x9-15-14PR	28x9-15
	14 Tyre size (Rear x2)		16X6-8-10PR	16X6-8-10PR	16X6-8-10PR	18x7-8-14PR	18x7-8-14PR	18x7-8-14PR	18x7-8
	15 Front tread	b10(mm)	934	934	934	980	980	1000	1000
	16 Rear tread	b11(mm)	920	920	920	960	960	960	960
Dimensions	17 Tilt of mast/fork carriage forward/backward	α/β (°)	6°/10°	6°/10°	6°/10°	6°/12°	6°/12°	6°/12°	6°/12°
	18 Mast lowered height	h1(mm)	2005	2005	2005	2050	2050	2070	2070
	19 Free lift height	h2(mm)	135	135	140	120	120	145	150
	20 Rated lift height	h3(mm)	3000	3000	3000	3000	3000	3000	3000
	21 Mast extended height (With backrest)	h4(mm)	4040	4040	4040	4021	4021	4060	4060
	22 Overhead guard height	h6(mm)	2170	2170	2170	2200	2200	2225	2225
	23 Length to face of fork (Without fork)	l2(mm)	2165	2165	2165	2345	2345	2505	2578
	24 Overall width	b1(mm)	1110	1110	1110	1180	1180	1220	1220
	25 Fork size (l×e×s)	l/e/s(mm)	920×100×35	920×100×35	1070×100×40	1070×100×40	1070×125×40	1070×125×45	1070×125×50
	26 Distance between fork-arms	b5(mm)	240/950	240/950	240/950	245/1030	245/1030	250/1075	250/1075
Performance	27 Ground clearance (Laden,below mast)	m1(mm)	110	110	110	110	110	130	130
	28 Ground clearance (Centre of wheelbase)	m2(mm)	110	110	110	120	120	150	150
	29 Aisle width for pallets 1000×1200 crossways	Ast1(mm)	3520	3520	3525	3720	3720	3875	3920
	30 Aisle width for pallets 900×1200 lengthways	Ast2(mm)	3720	3720	3725	3920	3920	4075	4120
	31 Turning radius (Outside)	Wt(mm)	1915	1915	1915	2060	2060	2210	2250
	32 Travel speed (Full load)	km/h	14	14	14	13/14	13/14	14	14
	33 Travel speed (No load)	km/h	15	15	15	14/15	14/15	15	15
	34 Lifting speed (Full load)	mm/s	290	280	270	350	350	350	350
	35 Lifting speed (No load)	mm/s	400	400	400	450	450	500	500
	36 Max.Gradeability (Full load)	%	15						
37 Max.Gradeability (No load)	%	15							
Power & Transmission	38 Max.Drawbar pull (laden/unladen)	N	11000	11000	11000	13500	13500	18500	18500
	39 Service brake		Hydraulic						
	40 Parking brake		Mechanical						
	41 Drive motor rating S2-60min	kw	8	8	8	11/16	11/16	16	16
	42 Lift motor rating at S3-15min	kw	10.6	10.6	10.6	21	21	21	21
	43 Battery voltage, nominal capacity	V/Ah	48/425		48/450	48/525 77 28/150	48/600 77 28/150	80/400 76 8/280	
	44 Battery weight	kg	680		700	758/930	930	1235/1240	
	45 Type of drive control		MOS/AC						
	46 Manufacturer		ZAPI						
	47 Operating pressure (For attachments)	Mpa	19.5			20.5			