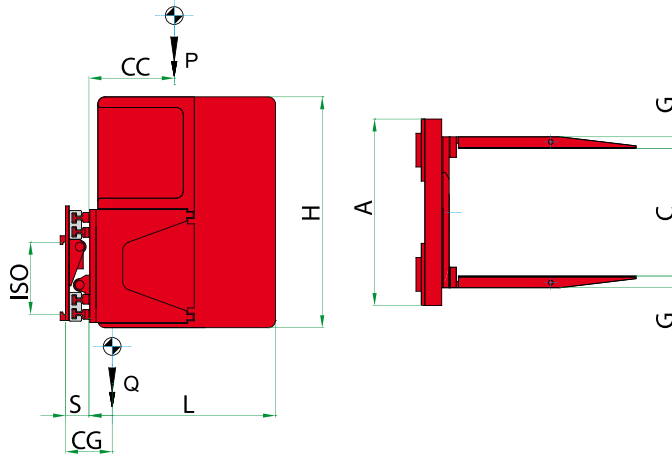


474.180

ΛΑΒΙΔΑ ΟΙΚΙΑΚΩΝ ΣΥΣΚΕΥΩΝ ΜΕ ΔΥΟ ΚΙΝΟΥΜΕΝΑ ΜΠΡΑΤΣΑ
Appliance clamp with two pivoting arms



Hydraulic functions required: 1.
Max working pressure: 175 bar.
On request we can supply attachments with different specifications than those illustrated.
Pressure relief valve, non-return valve and regenerative valve are supplied as standard.
Upon request supplied with semi-integral side-shift or integral side-shift.

474.180 ΛΑΒΙΑΔΑ ΟΙΚΙΑΚΩΝ ΣΥΣΚΕΥΩΝ ΜΕ ΔΥΟ ΚΙΝΟΥΜΕΝΑ ΜΠΡΑΤΣΑ

Appliance clamp with two pivoting arms

RIFERIMENTO	PORTATA ATTREZZATURA	BARICENTRO CARICO		LARGHEZZA TELAIO	APERTURA		DIMENSIONI GANASCE	SPESSORE	BARICENTRO	PESO
REFERENCE	ATTACHMENT CAPACITY	LOAD CENTRE	ISO 2328 FEM A	FRAME WIDTH	OPENING RANGE		BLADES DIMENSIONS	THICKNESS	CENTER OF GRAVITY	WEIGHT
ARTIKELNUMMER	TRAGFÄHIGKEIT DES ANBAUGERÄTS P - Kg	LASTSCHWER- PUNKT CC - mm		KÖRPERBREITE A - mm	C MIN - mm	C MAX - mm	MAßE DER ARME GxHxL mm	VORBAU- MAß S - mm	EIGENSCHWER- PUNKT CG - mm	GEWICHT Q - Kg
11L159G1A0001	800	500	I	950	510	1750	52x1000x1000	109	371	398
11L159G1A0002	800	500	I	950	510	1750	52x1300x1000	109	386	434
11L159G1A0003	800	500	I	950	510	1750	52x1000x1100	109	413	419
11L159G1A0004	800	500	I	950	510	1750	52x1300x1100	109	432	458
11L159G1A0005	800	500	I	950	510	1750	52x1000x1200	109	456	440
11L159G1A0006	800	500	I	950	510	1750	52x1300x1200	109	474	482
11L159G1A0007	800	500	I	950	510	1750	52x1000x1300	109	498	461
11L159G1A0008	800	500	I	950	510	1750	52x1300x1300	109	521	507
11L15AQ2A0001	1200	500	II	950	510	1750	52x1000x1000	109	371	398
11L15AQ2A0002	1200	500	II	950	510	1750	52x1300x1000	109	386	434
11L15AQ2A0003	1200	500	II	950	510	1750	52x1000x1100	109	413	419
11L15AQ2A0004	1200	500	II	950	510	1750	52x1300x1100	109	432	458
11L15AQ2A0005	1200	500	II	950	510	1750	52x1000x1200	109	456	440
11L15AQ2A0006	1200	500	II	950	510	1750	52x1300x1200	109	474	482
11L15AQ2A0007	1200	500	II	950	510	1750	52x1000x1300	109	498	461
11L15AQ2A0008	1200	500	II	950	510	1750	52x1300x1300	109	521	507
11L15BE2A0001	1400	500	II	1050	510	1860	62x1000x1000	137	342	504
11L15BE2A0002	1400	500	II	1050	510	1860	62x1300x1000	137	358	540
11L15BE2A0003	1400	500	II	1050	510	1860	62x1000x1100	137	382	527
11L15BE2A0004	1400	500	II	1050	510	1860	62x1300x1100	137	397	566
11L15BE2A0005	1400	500	II	1050	510	1860	62x1000x1200	137	421	549
11L15BE2A0006	1400	500	II	1050	510	1860	62x1300x1200	137	442	591
11L15BE2A0007	1400	500	II	1050	510	1860	62x1000x1300	137	464	572
11L15BE2A0008	1400	500	II	1050	510	1860	62x1300x1300	137	483	618

Hydraulic functions required: 1.

Max working pressure: 175 bar.

On request we can supply attachments with different specifications than those illustrated.

Pressure relief valve, non-return valve and regenerative valve are supplied as standard.

Upon request supplied with semi-integral side-shift or integral side-shift.