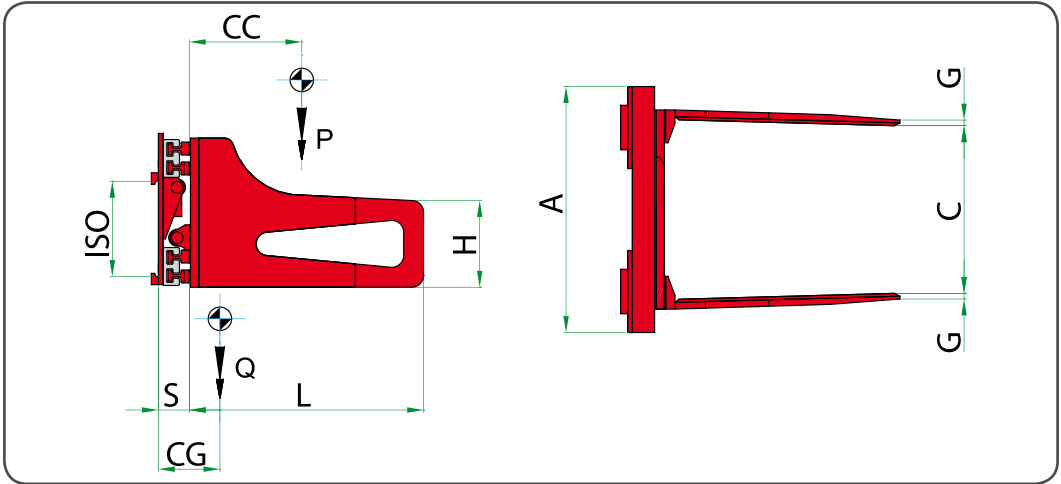


474.131

ΛΑΒΙΔΑ ΜΕ ΛΕΙΠΑ ΜΠΡΑΤΣΑ
Bale clamp with thin blades



*Hydraulic functions required: 1.
Max working pressure: 175 bar.
On request we can supply attachments with different specifications than those illustrated.
Pressure relief valve, non-return valve and regenerative valve are supplied as standard.
Upon request supplied with semi-integral side-shift or integral side-shift.*

474.131

ΛΑΒΙΑ ΔΕ ΛΕΙΤΑ ΜΠΡΑΤΣΑ Bale clamp with thin blades

RIFERIMENTO	PORTATA ATTREZZATURA	BARICENTRO CARICO		LARGHEZZA TELAIO	APERTURA		DIMENSIONI GANASCE	SPESORE	BARICENTRO	PESO
REFERENCE	ATTACHMENT CAPACITY	LOAD CENTRE	ISO 2328 FEM A	FRAME WIDTH	OPENING RANGE		BLADES DIMENSIONS	THICKNESS	CENTER OF GRAVITY	WEIGHT
ARTIKELNUMMER	TRAGFÄHIGKEIT DES ANBAUGERÄTS	LASTSCHWER- PUNKT		KÖRPERBREITE	ÖFFNUNGSBEREICH		MAßE DER ARME	VORBAUMAß	EIGENSCHWER- PUNKT	GEWICHT
	P - Kg	CC - mm		A - mm	C MIN - mm	C MAX - mm	GxHxL mm	S - mm	CG - mm	Q - Kg
11L079G1A0001	800	500	I	850	420	1460	21x350x900	109	221	290
11L079G1A0002	800	500	I	950	520	1760	21x350x900	109	216	300
11L079G1A0003	800	500	I	1050	620	2060	21x350x900	109	212	305
11L07AQ2A0002	1200	500	II	850	420	1460	21x350x900	109	221	290
11L07AQ2A0001	1200	500	II	950	520	1760	21x350x900	109	216	300
11L07AQ2A0003	1200	500	II	1050	620	2060	21x350x900	109	212	305
11L07BE2A0002	1400	500	II	950	420	1570	21x400x1000	137	254	427
11L07BE2A0003	1400	500	II	1050	520	1870	21x400x1000	137	248	433
11L07BE2A0004	1400	500	II	1150	620	2170	21x400x1000	137	243	459
11L07BE2A0005	1400	500	II	1250	520	2070	21x400x1000	137	241	464
11L07CG2A0001	1700	500	II	950	420	1570	21x400x1000	137	254	427
11L07CG2A0002	1700	500	II	1050	520	1870	21x400x1000	137	248	433
11L07D62A0003	1900	500	II	1050	420	1670	23x400x1000	137	249	448
11L07D62A0004	1900	500	II	1150	520	1970	23x400x1000	137	244	464
11L07D62A0005	1900	500	II	1250	620	2270	23x400x1000	137	239	480
11L07D62A0006	1900	500	II	1350	720	2570	23x400x1000	137	235	496
11L07EY3A0001	2400	500	III	1050	420	1670	23x400x1000	137	249	448
11L07EY3A0002	2400	500	III	1150	520	1970	23x400x1000	137	244	464
11L07G03A0001	2700	500	III	1100	540	1910	26x400x1000	157	271	704
11L07G03A0002	2700	500	III	1100	530	1900	26x400x1200	157	329	750
11L07G03A0003	2700	500	III	1200	440	1810	26x400x1000	157	266	730
11L07G03A0004	2700	500	III	1200	430	1800	26x400x1200	157	322	776
11L07G03A0005	2700	500	III	1300	540	2110	26x400x1000	157	261	756
11L07G03A0006	2700	500	III	1300	530	2100	26x400x1200	157	316	802
11L07G03A0007	2700	500	III	1400	640	2410	26x400x1000	157	257	782
11L07G03A0008	2700	500	III	1400	630	2400	26x400x1200	157	311	828
11L07HY3A0001	3500	500	III	1200	470	1880	29x500x1200	167	366	938
11L07HY3A0002	3500	500	III	1200	460	1870	29x500x1500	167	452	1035
11L07HY3A0003	3500	500	III	1300	570	2180	29x500x1200	167	360	958
11L07HY3A0004	3500	500	III	1300	560	2170	29x500x1500	167	445	1055
11L07HY3A0005	3500	500	III	1400	670	2480	29x500x1200	167	354	978
11L07HY3A0006	3500	500	III	1400	660	2470	29x500x1500	167	438	1075

Hydraulic functions required: 1.
Max working pressure: 175 bar.

On request we can supply attachments with different specifications than those illustrated.
Pressure relief valve, non-return valve and regenerative valve are supplied as standard.

Upon request supplied with semi-integral side-shift or integral side-shift.