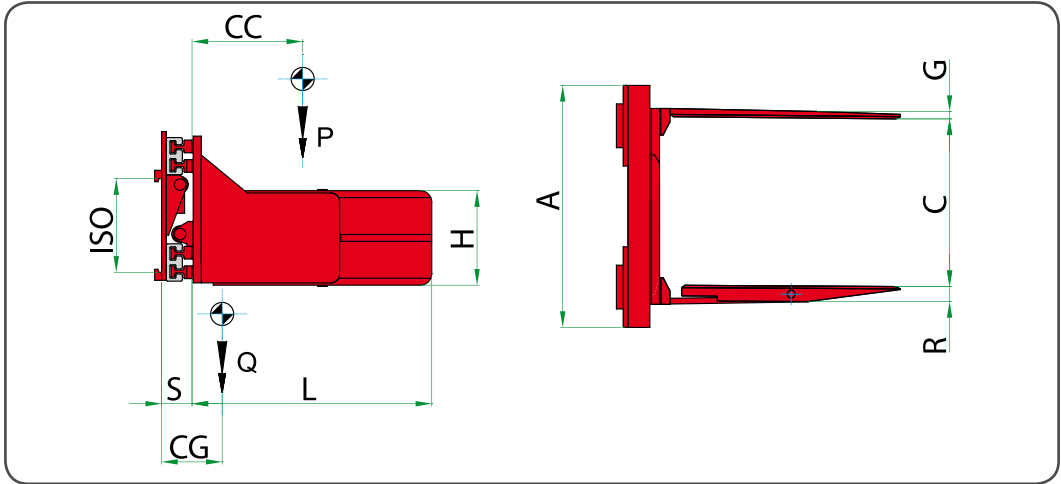


474.125

ΛΑΒΙΑΔΑ ΧΑΡΤΟΜΑΖΑΣ
Pulp clamp



RIFERIMENTO REFERENCE ARTIKELNUMMER	PORTATA ATTREZZATURA CAPACITY TRAGFÄHIGKEIT DES ANBAUGERÄTS P - Kg	BARICENTRO CARICO LOAD CENTRE LASTSCHWER- PUNKT CC - mm	ISO 2328 FEM A	LARGHEZZA TELAIO FRAME WIDTH KÖRPER- BREITE A - mm	APERTURA OPENING RANGE ÖFFNUNGSBEREICH C MIN - mm C MAX - mm		GANASCIA FISSA FIXED BLADE STARRER ARM GxHxL mm	GANASCIA ARTICOLATA PIVOTING BLADE PENDELNDER ARM RxHxL mm	SPESORE MÄß SCHWERPUNKT S - mm	BARICENTRO CENTER OF GRAVITY EIGEN- SCHWERPUNKT CG - mm	PESO GEWICHT PREIS Q - Kg
11L09D62A0001	1900	500	II	1150	530	1980	45x400x700	75x400x700	137	165	394
11L09D62A0002	1900	500	II	1150	520	1970	45x400x1000	75x400x1000	137	248	447
11L09D62A0003	1900	500	II	1350	730	2580	45x400x700	75x400x700	137	161	426
11L09D62A0004	1900	500	II	1350	720	2570	45x400x1000	75x400x1000	137	242	479
11L09EY2A0001	2400	500	II	1150	530	1980	45x400x700	75x400x700	137	165	394
11L09EY2A0002	2400	500	II	1150	520	1970	45x400x1000	75x400x1000	137	248	447
11L09G03A0001	2700	500	III	1100	530	1900	65x400x700	97x400x700	157	184	476
11L09G03A0002	2700	500	III	1100	520	1890	65x400x1000	97x400x1000	157	272	544
11L09G03A0003	2700	500	III	1100	510	1880	65x400x1200	97x400x1200	157	332	590
11L09G03A0004	2700	500	III	1400	630	2400	65x400x700	97x400x700	157	179	554
11L09G03A0005	2700	500	III	1400	620	2390	65x400x1000	97x400x1000	157	261	622
11L09G03A0006	2700	500	III	1400	610	2380	65x400x1200	97x400x1200	157	313	668
11L09HY3A0001	3500	500	III	1200	450	1860	70x500x1000	105x500x1000	167	307	607
11L09HY3A0002	3500	500	III	1200	440	1850	70x500x1200	105x500x1200	167	369	760
11L09HY3A0003	3500	500	III	1200	430	1840	70x500x1500	105x500x1500	167	453	857
11L09HY3A0004	3500	500	III	1400	650	2460	70x500x1000	105x500x1000	167	299	749
11L09HY3A0005	3500	500	III	1400	640	2450	70x500x1200	105x500x1200	167	358	812
11L09HY3A0006	3500	500	III	1400	630	2440	70x500x1500	105x500x1500	167	441	909

Hydraulic functions required: 1.
Max working pressure: 175 bar.
On request we can supply attachments with different specifications than those illustrated.
Pressure relief valve, non-return valve and regenerative valve are supplied as standard.
Upon request supplied with semi-integral side-shift or integral side-shift.