

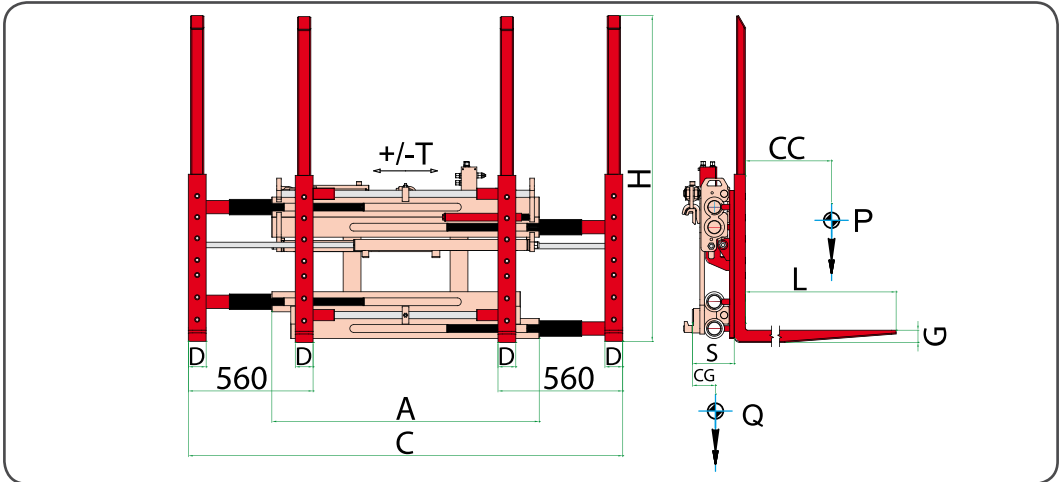
ΔΙΑΧΕΙΡΙΣΗ ΠΟΛΛΑΠΛΩΝ ΠΑΛΕΤΩΝ

Multi pallet handlers

917

ΔΙΑΧΕΙΡΙΣΗ ΔΥΟ ΠΑΛΕΤΩΝ

Double fork positioner



RIFERIMENTO	PORTATA ATTREZZATURA	BARICENTRO CARICO	LARGHEZZA PIASTRA	APERTURA	FORCHE	CORSA	SPESSORE	BARICENTRO	PESO	
REFERENCE	ATTACHMENT CAPACITY	LOAD CENTRE	ISO 2328 FEM A	CARRIAGE WIDTH	OPENING RANGE	FORKS	STROKE	THICKNESS	CENTER OF GRAVITY	WEIGHT
ARTIKELNUMMER	TRAGFÄHIGKEIT DES ANBAUGERÄTS P - Kg	LASTSCHWER- PUNKT CC - mm	KÖRPER- BREITE A - mm	ÖFFNUNGSBEREICH C MIN - mm C MAX - mm	GABELZINKEN DxGxL mm H mm	SCHUB T - mm	VORBAU- MAß S - mm	EIGEN- SCHWERPUNKT CG - mm	GEWICHT Q - Kg	
15REA2A1001	2200	600	II	1200	560 1940	80x40x1150 1460	100	165	205	480
15RFB2A1001	2500	600	II	1200	560 1940	80x50x1150 1460	100	165	220	525
15RFB3A1001	2600	600	III	1200	560 1940	80x50x1150 1460	100	165	210	530
15RHF3A1001	3200	600	III	1200	560 1940	80x60x1150 1460	100	185	220	635
15RJV3A1001	4000	600	III	1400	560 1940	80x60x1150 1460	100	185	195	670
15RFC3A1001	2500	1200	III	1400	560 1940	80x60x2400 1460	100	210	480	1050
15RJ64A1001	3600	1200	IV	1400	560 1940	80x70x2400 1460	150	215	435	1320
15RKY4A1001	4600	1200	IV	1400	560 1940	80x70x2400 1460	150	215	445	1380

Hydraulic functions required: 2.
 Maximum working pressure: 200 bar.
 On request we can supply attachments with different specifications than those illustrated.
 The bolt-on forks are included in the price.