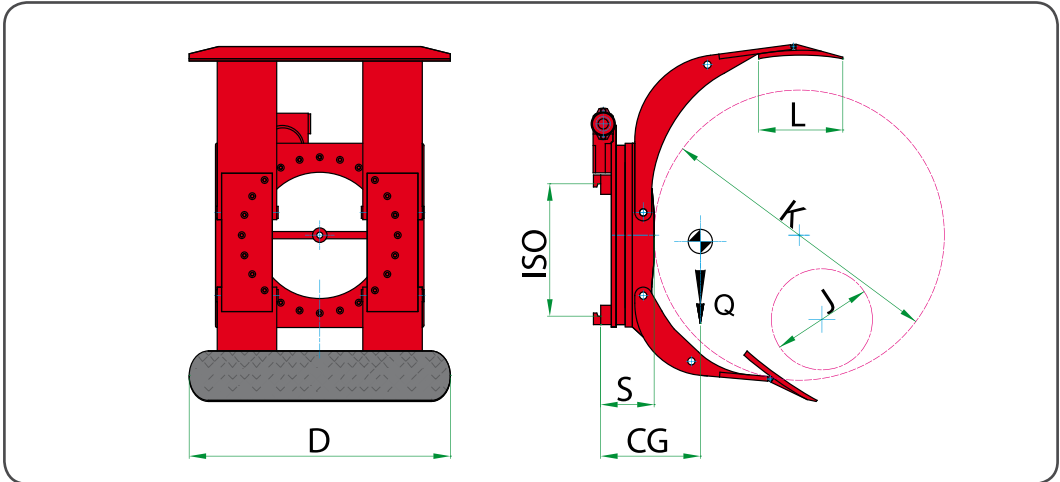


340 TM

Περιστροφική λαβίδα ρολών 360° για μαλακό χαρτί με ρυθμιζόμενα μπράτσα
360° Rotating TISSUE roll clamp with adjustable arms



RIFERIMENTO	PORTATA ATTREZZATURA		DIAMETRI BOBINE		PIATTOLI	SPESORE	BARICENTRO	PESO
REFERENCE	ATTACHMENT CAPACITY	ISO 2328 FEM A	ROLLS DIAMETER		CONTACT PADS	THICKNESS	CENTER OF GRAVITY	WEIGHT
ARTIKELNUMMER	TRAGFÄHIGKEIT DES ANBAUGERÄTS		ROLLENDURCHMESSER		DRUCKPLATTEN	VORBAUMAB	EIGENSCHWER- PUNKT	GEWICHT
	Kg		J - mm	K - mm	DxL - mm	S - mm	CG - mm	Q - Kg
21G052G2C0001	900	II	250	1400	850x300	178	220	525
21G052Q2C0001	1300	II	250	1600	1300x350	186	255	650
21G05343C0001	2000	III	250	1600	1400x350	202	265	880
21G053G3C0001	2600	III	480	1800	1400x350	215	280	1040
21G053G4C0005	2600	IV	480	2400	1400x350	270	285	1980

Hydraulic functions required: 2.
Max working pressure: 175 bar.

On request we can supply attachments with different specifications than those illustrated.

Pressure relief valve and non-return valve are supplied as standard.

The attachment can be realized with a 3° mounting angle.

The contact plates are coated with a corundum layer as standard; as an alternative milled plates can be supplied.

The contact plates can be coated with rubber.

Upon request supplied with semi-integral side-shift.