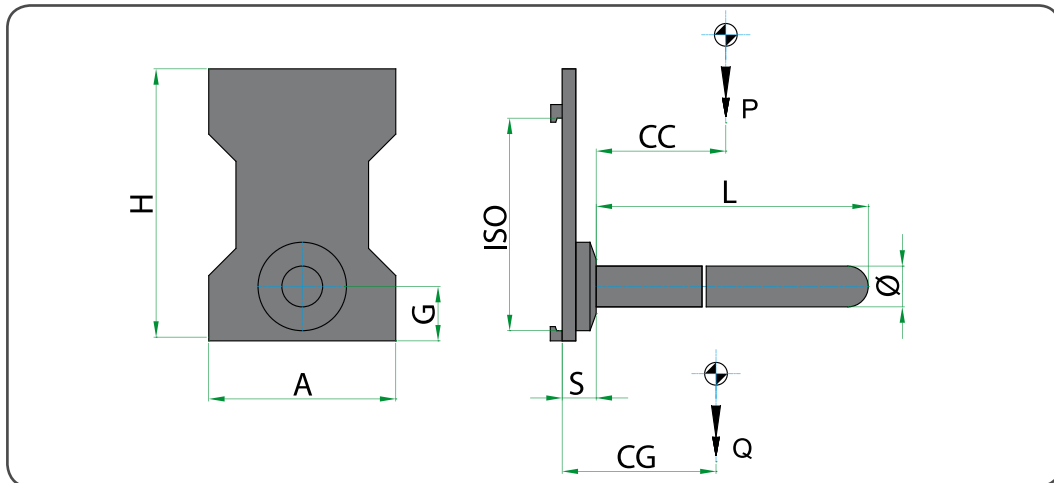


Διάφορα μηχανικά εξαρτήματα
**Various mechanical
 attachments**

940

Μπούμα
 Boom



RIFERIMENTO	PORTATA ATTREZZATURA	BARICENTRO CARICO	DIAMETRO	PIASTRA POSTERIORE	LUNGHEZZA BRACCIO	SPESORE	BARICENTRO	PESO			
REFERENCE	ATTACHMENT CAPACITY	LOAD CENTRE	ISO 2328 FEM A	DIAMETER	REAR PLATE	BOOM LENGTH	CENTER OF GRAVITY	WEIGHT			
ARTIKELNUMMER	TRAGFÄHIGKEIT DES AN- BAUGERÄTS	LASTSCHWER- PUNKT	DURCHMESSER	RÜCKPLATTE	DORN-LÄNGE	VORBAUMAB	EIGENSCHWER- PUNKT	GEWICHT			
	P - Kg	CC - mm	Ø - mm	A - mm	H - mm	G - mm	L - mm	S - mm	CG - mm	Q - Kg	
47A8L1C001	550	500	I	50	320	430	100	1000	75	163	66
47AA01C001	1000	500	I	60	320	430	100	1000	75	207	75
47AA02C001	1000	500	II	60	360	500	100	1000	90	155	100
47ABS2C001	1500	500	II	70	360	500	100	1000	90	188	108
47ABS2C002	1500	500	II	70	360	500	100	1500	90	335	120
47ABS2C003	1500	500	II	70	360	500	100	3200	90	971	177
47AFA2C001	2500	500	II	80	360	500	100	1200	90	283	125
47AFA2C002	2500	500	II	80	360	500	100	3600	90	1256	225
47AHY3C001	3500	500	III	100	400	610	180	1200	130	276	215
47AKQ3C001	4500	500	III	110	400	610	180	1500	130	411	248
47ALM4C001	5000	600	IV	120	550	760	200	1500	140	328	395
47AP94C001	6500	600	IV	140	550	760	200	1800	140	495	490
47ASS6C001	13000	600	*	220	*	*	300	1200	220	370	980

* Pin Type

On request we can supply attachments with dif-
 ferent specifications than those illustrated.