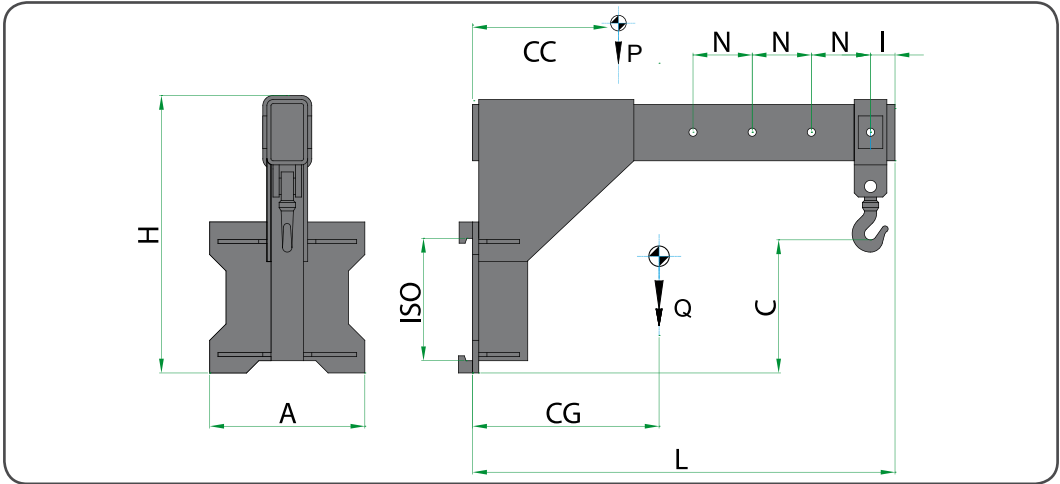


Διάφορα μηχανικά εξαρτήματα
Various mechanical attachments

980

Γερανός
 Crane jib



RIFERIMENTO	PORTATA ATTREZZATURA	BARICENTRO CARICO		LARGHEZZA	ALTEZZA	LUNGHEZZA	DISTANZA FORO	PASSO	ALTEZZA GANCIO	BARICENTRO	PESO
REFERENCE	ATTACHMENT CAPACITY	LOAD CENTRE	ISO 2328 FEM A	WIDTH	HEIGHT	LENGTH	HOLE DISTANCE	AXIS-CENTRE DISTANCE	HOOK HEIGHT	CENTER OF GRAVITY	WEIGHT
ARTIKELNUMMER	TRAGFÄHIGKEIT DES ANBAUGERÄTS	LASTSCHWER- PUNKT		BREITE	HÖHE	LÄNGE	ABSTAND LOCH	ACHSAB- STAND	HAKENHÖHE	EIGENSCHWER- PUNKT	GEWICHT
	P - Kg	CC - mm		A - mm	H - mm	L - mm	I - mm	N - mm	C - mm	CG - mm	Q - Kg
45LBS2C003	1500	500	II	480	900	1276	76	200	200	340	130
45LFA2C009	2500	500	II	480	900	1376	76	200	200	390	160
45LHY3C007	3500	500	III	480	1035	1476	76	200	200	410	230
45LLL3C001	5000	500	III	480	1035	1476	76	200	200	430	260
45LRO4C001	8000	600	IV	560	1305	1686	86	200	200	490	440

*On request we can supply attachments with dif-
 ferent specifications than those illustrated.*