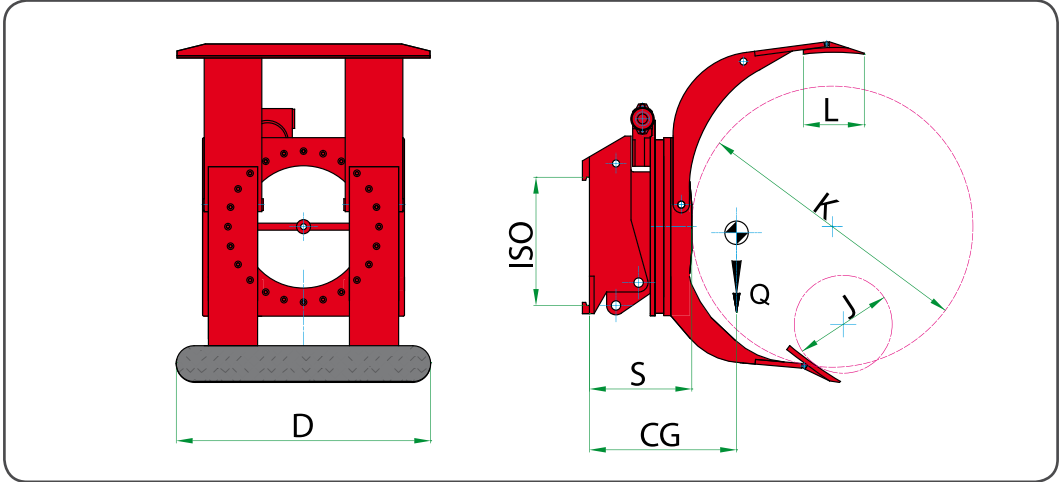


342 SF

Περιστροφική λαβίδα ρολών 360° με ανατροπή 90° και σταθερό το μικρό μπράτσο
360° Rotating roll clamp with 90° forward tipping and fixed short arm



RIFERIMENTO	PORTATA ATTREZZATURA		DIAMETRI BOBINE		PIATTELLI	SPESORE	BARICENTRO	BARICENTRO	PESO
REFERENCE	ATTACHMENT CAPACITY	ISO 2328 FEM A	ROLLS DIAMETER		CONTACT PADS	THICKNESS	CENTER OF GRAVITY	CENTER OF GRAVITY	WEIGHT
ARTIKELNUMMER	TRAGFÄHIGKEIT DES ANBAUGERÄTS		ROLLENDURCHMESSER		DRUCKPLATTEN	VORBAUMAB	EIGENSCHWER-PUNKT	EIGENSCHWER-PUNKT	GEWICHT
	Kg		J - mm	K - mm	DxL - mm	S - mm	CG - mm	CGI - mm	Q - Kg
21J002G2C0001	900	II	350	1100	700x200	295	265	390	640
21J002G2C0002	900	II	350	1400	700x200	295	270	410	690
21J002Q2C0001	1300	II	400	1150	750x250	295	285	430	705
21J002Q2C0002	1300	II	400	1300	750x250	295	290	440	740
21J00342C0001	2000	II	400	1300	850x250	310	300	470	820
21J00343C0001	2000	III	400	1300	850x250	335	300	470	1020
21J00343C0002	2000	III	400	1600	850x250	335	305	490	1090
21J003G3C0001	2600	III	550	1300	900x250	370	310	500	1195
21J003G3C0002	2600	III	750	1600	900x250	370	320	530	1260
21J003Q3C0001	3000	III	400	1300	1015x300	380	325	525	1510
21J003W4C0001	3600	IV	750	1800	1050x300	420	330	575	1840

Hydraulic functions required: 3.

Max working pressure: 175 bar.

On request we can supply attachments with different specifications than those illustrated.

Pressure relief valve and non-return valve are supplied as standard.

The attachment can be realized with a 3° mounting angle.

The contact plates are coated with a corundum layer as standard; as an alternative milled plates can be supplied.

The contact plates can be coated with rubber.

Upon request supplied with semi-integral side-shift.