

DP/GP20N

DP/GP25N

DP/GP30N

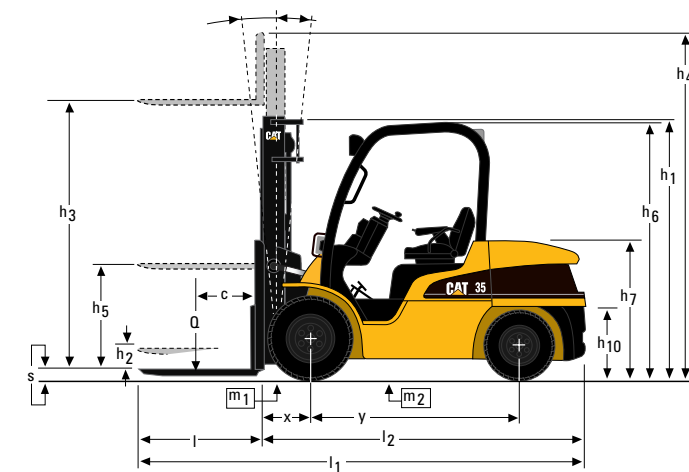
DP/GP35N

CAT Lift
Trucks

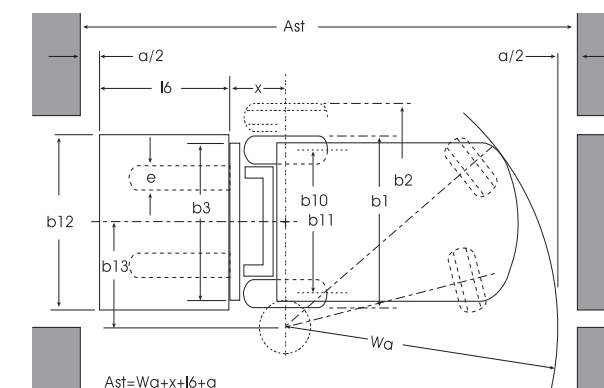


Engine powered lift trucks
2.0 - 3.5 ton

Characteristics			Caterpillar	Caterpillar	Caterpillar	Caterpillar	Caterpillar	Caterpillar	Caterpillar	Caterpillar
1.1	Manufacturer (abbreviation)		Caterpillar	Caterpillar	Caterpillar	Caterpillar	Caterpillar	Caterpillar	Caterpillar	Caterpillar
1.2	Manufacturer's model designation		DP20N	DP25N	DP30N	DP35N	GP20N	GP25N	GP30N	GP35N
1.3	Power source: (battery, diesel, LP gas, petrol)		Diesel	Diesel	Diesel	Diesel	LP gas	LP gas	LP gas	LP gas
1.4	Operator type: pedestrian, (operator)-standing, -seated		Seated	Seated	Seated	Seated	Seated	Seated	Seated	Seated
1.5	Lifting capacity	Q (t)	2.0	2.5	3.0	3.5	2.0	2.5	3.0	3.5
1.6	At load centre	c (mm)	500	500	500	500	500	500	500	500
1.8	Load distance	x (mm)	455	455	490	490	455	455	490	490
1.9	Wheelbase	y (mm)	1600	1600	1700	1700	1600	1600	1700	1700
Weight										
2.1	Truck weight, without load / including battery	kg	3420	3710	4360	4770	3310	3610	4250	4660
2.2	Axle loading with rated load, front/rear	kg	4690 / 730	5480 / 730	6530 / 830	7270 / 1000	4650 / 660	5440 / 670	6490 / 760	7220 / 940
2.3	Axle loading without load, front/rear	kg	1500 / 1920	1480 / 2230	1780 / 2580	1720 / 3050	1460 / 1850	1440 / 2170	1730 / 2520	1680 / 2980
Wheels, Drive Train										
3.1	Tyre type: V=solid, L=pneumatic, SE=solid pneumatic - front/rear		SE / SE (L / L)	SE / SE (L / L)	SE / SE (L / L)	SE / SE (L / L)	SE / SE (L / L)	SE / SE (L / L)	SE / SE (L / L)	SE / SE (L / L)
3.2	Tyre dimensions, front		7.00-12	7.00-12	28x9-15	250-15	7.00-12	7.00-12	28x9-15	250-15
3.3	Tyre dimensions, rear		6.00-9	6.00-9	6.50-10	6.50-10	6.00-9	6.00-9	6.50-10	6.50-10
3.5	Number of wheels, front/rear (x=driven)		2x / 2	2x / 2	2x / 2	2x / 2	2x / 2	2x / 2	2x / 2	2x / 2
3.6	Distance between centreline of tyres, front	b10 (mm)	960	960	1060	1060	960	960	1060	1060
3.7	Distance between centreline of tyres, rear	b11 (mm)	980	980	980	980	980	980	980	980
Dimensions										
4.1	Mast tilt, forwards/backwards	∂/β °	6 / 10	6 / 10	6 / 10	6 / 10	6 / 10	6 / 10	6 / 10	6 / 10
4.2	Height with mast lowered	h1 (mm)	2145	2145	2165	2300	2145	2145	2165	2300
4.3	Standard free lift	h2 (mm)	100	100	100	100	100	100	100	100
4.4	Standard lift height	h3 (mm)	3300	3300	3270	3300	3300	3300	3270	3300
4.5	Overall height with mast raised	h4 (mm)	4360	4360	4330	4360	4360	4360	4330	4360
4.7	Height to top of overhead guard	h6 (mm)	2145	2145	2165	2175	2145	2145	2165	2175
4.8	Seat height	h7 (mm)	1114	1114	1114	1114	1114	1114	1114	1114
4.12	Tow coupling height	h10 (mm)								
4.19	Overall length	l1 (mm)	3558	3625	3795	3860	3558	3625	3795	3860
4.20	Length to fork face (includes fork thickness)	l2 (mm)	2488	2555	2725	2790	2488	2555	2725	2790
4.21	Overall width	b1/b2 (mm)	1150 / 1640	1150 / 1640	1275 / 1690	1290 / 1690	1150 / 1640	1150 / 1640	1275 / 1690	1290 / 1690
4.22	Fork dimensions (thickness, width, length)	s,e,l (mm)	40 x 100 x 1070	40 x 100 x 1070	45 x 125 x 1070	45 x 125 x 1070	40 x 100 x 1070	40 x 100 x 1070	45 x 125 x 1070	45 x 125 x 1070
4.23	Fork carriage to DIN 15 173 A/B/no		2A	2A	3A	3A	2A	2A	3A	3A
4.24	Fork carriage width	b3 (mm)	1000	1000	1000	1000	1000	1000	1000	1000
4.31	Ground clearance under mast, with load	m1 (mm)	115	115	135	150	115	115	135	150
4.32	Ground clearance centre of wheelbase, with load	m2 (mm)	135	135	165	170	135	135	165	170
4.33	Working aisle width with 1000 x1200 mm pallets	Ast (mm)	3855	3885	4070	4130	3855	3885	4070	4130
4.34	Working aisle width with 800 x1200 mm pallets	Ast (mm)	3655	3685	3870	3930	3655	3685	3870	3930
4.35	Turning circle radius	Wa (mm)	2196	2233	2380	2440	2196	2233	2380	2440
4.36	Minimum distance between centres of rotation	b13 (mm)								
Performance										
5.1	Travel speed, with/without load	km/h	19 / 19.5	19 / 19.5	19 / 19.5	19 / 19.5	19 / 19.5	19 / 19.5	19 / 19.5	19 / 19.5
5.2	Lifting speed, with/without load	m/s	0.64 / 0.67	0.64 / 0.67	0.51 / 0.54	0.43 / 0.46	0.59 / 0.61	0.59 / 0.61	0.52 / 0.53	0.43 / 0.44
5.3	Lowering speed, with/without load	m/s	0.50 / 0.50	0.50 / 0.50	0.53 / 0.50	0.42 / 0.40	0.50 / 0.50	0.50 / 0.50	0.53 / 0.50	0.42 / 0.40
5.5	Rated drawbar pull, with/without load	N	17200 / 16700	17000 / 16600	16600 / 16600	15800 / 15800	15200 / 14900	15000 / 14800	17700 / 17700	16900 / 16900
5.7	Gradeability, with/without load	%	34 / -	29 / -	24 / -	20 / -	30 / -	26 / -	26 / -	22 / -
5.9	Acceleration time, with/without load (0 -10 m)	s								
5.10	Service brakes (mechanical/hydraulic/electric/pneumatic)		Hydraulic	Hydraulic	Hydraulic	Hydraulic	Hydraulic	Hydraulic	Hydraulic	Hydraulic
I.C. engine										
7.1	Manufacturer / Type		S4S	S4S	S4S	S4S	K21 LE	K21 LE	K25 LE	K25 LE
7.2	Rated output B to ISO 1585	kW	42,3	42,3	42,3	42,3	42	42	47	47
7.3	Rated speed to DIN 70 020	rpm	2300	2300	2300	2300	2700	2700	2700	2700
7.4	Number of cylinders / cubic capacity	/cm3	4 / 3331	4 / 3331	4 / 3331	4 / 3331	4 / 2065	4 / 2065	4 / 2488	4 / 2488
7.5	Fuel consumption according to VDI cycle	l/h	2.0	2.1	2.4	2.6	2.0	2.0	2.2	2.2
Miscellaneous										
8.1	Type of drive control		Powershift / 1	Powershift / 1	Powershift / 1	Powershift / 1	Powershift / 1	Powershift / 1	Powershift / 1	Powershift / 1
8.2	Operating pressure for attachments	bar	180	180	180	180	180	180	180	180
8.3	Oil flow for attachments	l/min	75	75	73	73	68	68	73	73
8.4	Noise level, mean value at operator's ear	dB(A)	78	78	78	78	79	79	79	79
8.5	Towing coupling design / DIN type, ref.									



$Ast = Wa + x + l6 + a$
 Ast = Working aisle width with load
 a = Safety clearance (200 mm)
 l6 = Pallet length (800 or 1000 mm)
 b12 = Pallet width (1200 mm)



Lower Cost of Ownership

- Design improvements have extended the service interval to 500 hours, thus reducing the total cost of ownership.
- Vehicle Control Unit controls various safety functions and allows easy troubleshooting of all electronic components.

Unmatched Productivity

- New state-of-the-art LPG engine with engine management system and regulated catalytic converter for improved performance, lower noise levels and emission and more efficient fuel consumption.
- Special power train layout to lower the centre of gravity, increasing truck stability and residual lifting capacities.
- Reliable high performance diesel engine, with low exhaust emission and low fuel consumption.

Safety and Ergonomics

- Safety seat switch prevents truck operation when the operator is not seated.
- Low noise levels which increase operator comfort.
- Advanced fingertip hydraulic controls mounted on an adjustable armrest for optimum load handling precision.
- Optional manual controls.
- Automotive style pedal layout.
- Adjustable steering column with memory position for comfortable operation.
- Low step in chassis for easy on / off access.

Useful options

- Factory fitted panel cabin and full floating tiltable cabin.
- Elevated exhaust.
- Additional working lights and revolving lamps.
- Dual front wheels.
- Tilt horizontal controls.
- Integral side shifter.



Cat® Lift Trucks.

Your partner in materials handling.

DP/GP20N - DP/GP25N				DP/GP20N		DP/GP25N	
Mast Type	h3	h1	h4	h2/h5	Q @ c=500mm	h2/h5	Q @ c=500mm
	mm	mm	mm	mm	kg	mm	kg
Simplex	3000	1995	4050	100	2000	100	2500
	3300	2145	4340	100	2000	100	2500
	3740	2410	4770	100	2000	100	2500
	4100	2590	5140	100	2000	100	2500
	4500	2800	5530	100	2000	100	2500
	5000	3050	6050	100	1950	100	2400
	5500	3300	6550	100	1850*	100	2250*
	6000	3550	7050	100	1800*	100	2150*
Duplex	3000	1995	4050	980	2000	980	2500
	3300	2145	4340	1130	2000	1130	2500
	3700	2410	4750	1390	2000	1390	2500
	4020	2590	5080	1570	2000	1570	2500
Triplex	3730	1800	4760	780	2000	780	2500
	4030	1900	5060	880	2000	880	2500
	4300	2000	5360	980	1950	980	2500
	4750	2140	5800	1130	1900	1130	2400
	5060	2260	6140	1250	1850	1250	2350
	5500	2400	6540	1390	1800	1390	2200*
	5990	2590	7040	1570	1750*	1570	2100*
	6490	2850	7540	1830	1650*	1830	1750*
7000	3050	8050	2040	1250*	2040	1250*	

Mast Performance and Capacity

- h1 Height with mast lowered
- h2 Standard free lift
- h3 Lift height
- h4 Height with mast raised
- h5 Full free lift
- Q Lifting capacity, rated load
- c Load centre (distance)

* Capacities shown require truck equipped with dual tyres. Consult your dealer for the maximum back tilt allowed, to obtain the capacities specified.

The capacities are applicable for pneumatic shaped solid tyres (SE).

Cat Lift Trucks is renowned for its worldwide distribution network, but you will always find an experienced and dedicated team of professionals close to you. Individuals committed to helping you maximise profits. With Cat Lift Trucks, your investment is in safe hands.

DP/GP30N						DP/GP35N				
Mast Type	h3	h1	h4	h2/h5	Q @ c=500mm	h3	h1	h4	h2/h5	Q@ c=500mm
	mm	mm	mm	mm	kg	mm	mm	mm	mm	kg
Simplex	3030	2050	4090	100	3000	3000	2180	4060	100	3500
	3270	2170	4330	100	3000	3300	2300	4360	100	3500
	3700	2430	4760	100	3000	3720	2510	4780	100	3500
	4000	2610	5060	100	3000	4000	2770	5060	100	3500
	4500	2870	5560	100	3000	4500	3010	5560	100	3500
	5000	3120	6060	100	2900	5000	3260	6060	100	3500
	5500	3370	6560	100	2800	5500	3510	6560	100	3350
	6000	3640	7060	100	2700	6000	3760	7060	100	3250
Duplex	3000	2050	4060	1030	3000	3010	2180	4070	1170	3500
	3250	2170	4310	1150	3000	3300	2300	4360	1290	3500
	3700	2430	4760	1420	3000	3720	2625	4780	1610	3500
	4010	2610	5070	1600	3000	4000	2770	5060	1750	3500
Triplex	3690	1830	4750	810	3000	3730	1940	4790	930	3500
	3990	1930	5050	910	3000	4010	2060	5070	1050	3500
	4320	2050	5380	1030	3000	4390	2180	5450	1170	3500
	4700	2170	5760	1150	3000	4700	2300	5760	1290	3500
	5060	2290	6120	1270	2900	5030	2450	6090	1430	3450
	5450	2430	6510	1420	2800	5580	2630	6640	1610	3300
	5970	2610	7030	1600	2700	6000	2770	7060	1750	3200
	6470	2870	7530	1860	2350	6510	2940	7570	1930	2350
7000	3070	8060	2060	1600	7000	3140	8060	2120	1600	

All dimensions include load backrest. In case load backrest is not used h5 will increase by 390 mm (20N, 25N), 350 mm (30N), 240 mm (35N), while h4 will decrease by 390 mm (20N, 25N), 350 mm (30N), 240 mm (35N).

CATERPILLAR®

catliftruck@mcfe.nl
www.catliftruck.com

CESC0553(12/03)ok
Copyright ©2003, MCFE. All rights reserved.
CATERPILLAR and CAT are registered trademarks of Caterpillar Inc.
Printed in The Netherlands

NOTE: Performance specifications may vary depending on standard manufacturing tolerances, vehicle condition, types of tyres, floor or surface conditions, applications, or operating environment. Trucks may be shown with non-standard options. Specific performance requirements and locally available configurations should be discussed with your Cat lift trucks Dealer. Cat Lift Trucks follows a policy of continual product improvement. For this reason, some materials, options and specifications could change without notice.